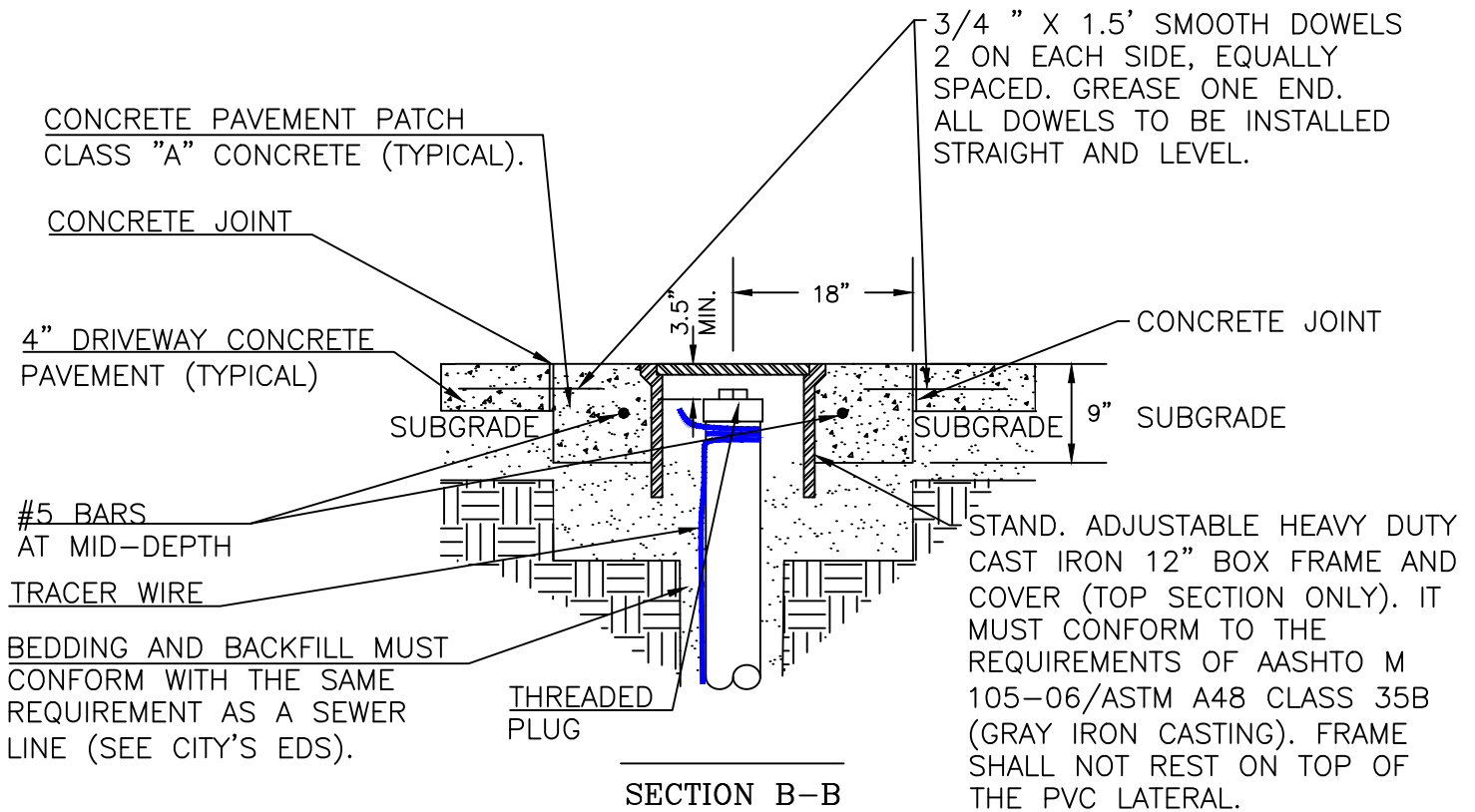


PLAN VIEW

NOTES:

1. SERVICES SHOULD BE DESIGNED TO AVOID ALIGNMENT WITH DRIVEWAYS, SEE DETAIL W-10.
2. SUBGRADE SHALL BE COMPACTED AS PER SUBGRADE PREPARATION.



CITY OF RICHMOND HILL
STANDARD CONSTRUCTION
DETAIL

S-15

DATE:
MARCH, 2019

CLEANOUT ADJUSTMENT TO GRADE IN DRIVEWAYS